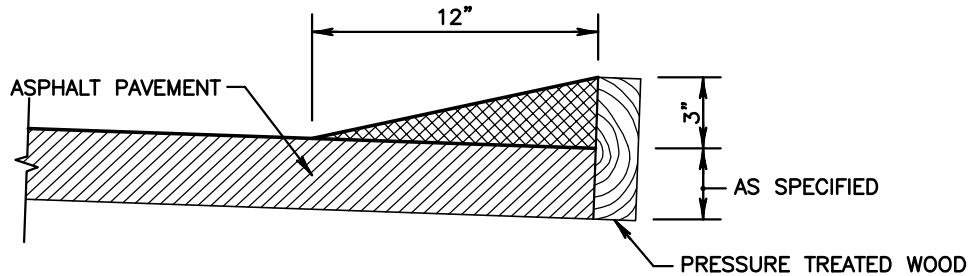
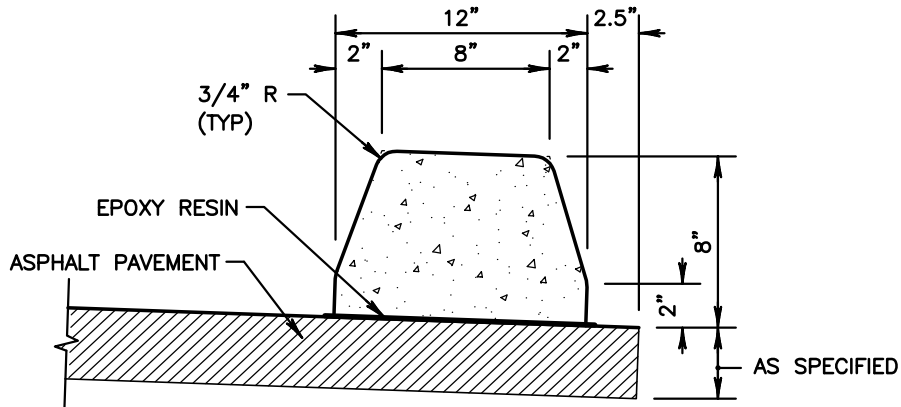


**TEMPORARY THICKENED EDGE FOR ASPHALT PAVING**



**TEMPORARY ASPHALT WEDGE CURB**



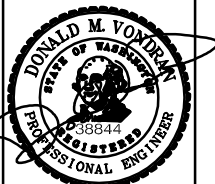
**MODIFIED EXTRUDED CONCRETE CURB**

**NOTES**

- 1 ASPHALT THICKENED EDGE AND WEDGE CURB SHALL BE USED FOR TEMPORARY PAVEMENT EDGING ONLY.
- 2 CONCRETE SHALL BE CEMENT CONCRETE, CLASS 4000 FROM AN APPROVED SUPPLIER.
- 3 CONCRETE FINISH SHALL BE LIGHT BROOM FINISH.
- 4 CONCRETE CONTROL JOINTS SHALL BE PLACED ON 10 FOOT CENTERS. JOINT SPACING MAY VARY (IN A CONSISTENT MANNER, 10' ±1') TO AVOID SHORT (<5') SEGMENTS.
- 5 ALL CONCRETE CONTROL JOINTS SHALL BE CLEAN AND EDGED.
- 6 EXTRUDED CONCRETE CURB SHALL BE ANCHORED TO EXISTING ASPHALT BY AN EPOXY RESIN IN CONFORMANCE WITH SECTION 9-26 OF THE WSDOT STANDARD SPECIFICATIONS.
- 7 THE FINISHED CONCRETE CURB SHALL BE SPRAYED WITH A TRANSPARENT CURING COMPOUND AND COVERED BY WATERPROOF PAPER OR PLASTIC MEMBRANE IN THE EVENT OF RAIN OR OTHER UNSUITABLE WEATHER. CONCRETE CURING TIME SHALL BE A MINIMUM OF 72 HOURS.



**City of Covington**  
Public Works  
Community Development



**EXTRUDED CURB  
SECTIONS**

This document has been signed electronically in accordance with WAC 196-23-070 and Chapter 19.34 RCW. Unauthorized alteration of any of the information on this document will invalidate the document, my certification and signature.

**325**

Revision Date  
July 2009