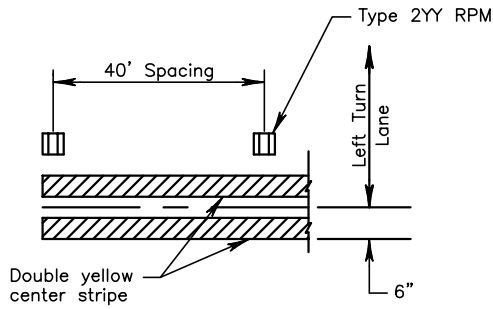
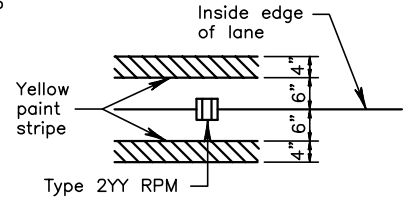


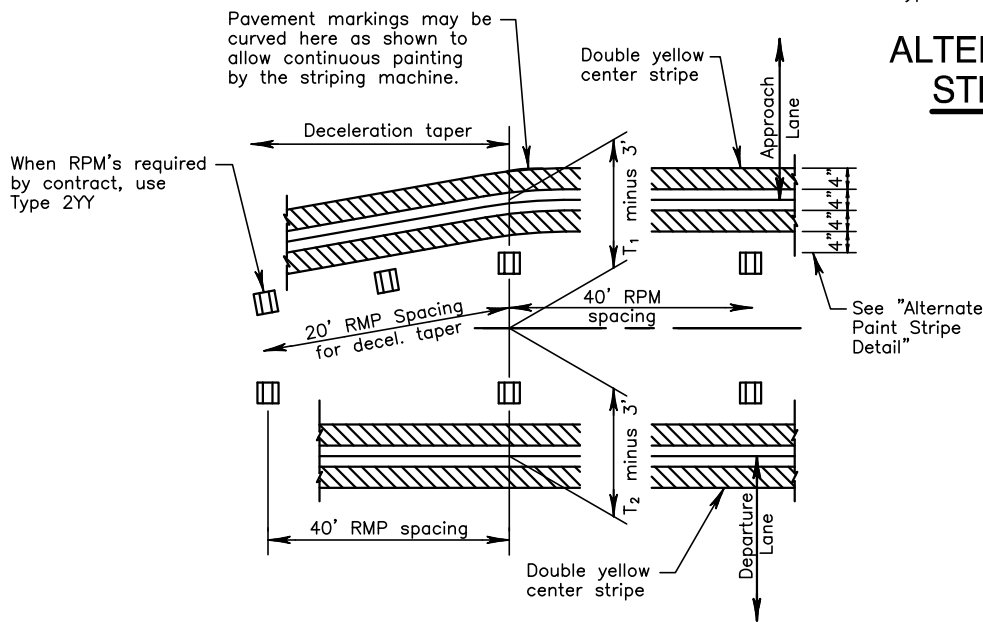
DETAIL A



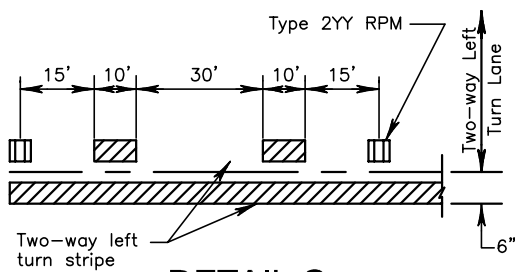
DETAIL B



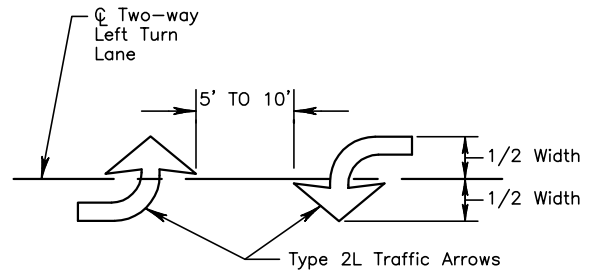
ALTERNATE PAINT STRIPE DETAIL



DETAIL D



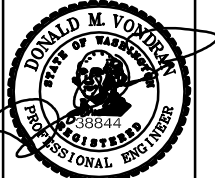
DETAIL C



DETAIL E



City of Covington
Public Works
Community Development



**PAVEMENT MARKING
TYPICAL DETAILS**

This document has been signed electronically in accordance with WAC 196-23-070 and Chapter 19.34 RCW. Unauthorized alteration of any of the information on this document will invalidate the document, my certification and signature.

409

Revision Date
July 2009