

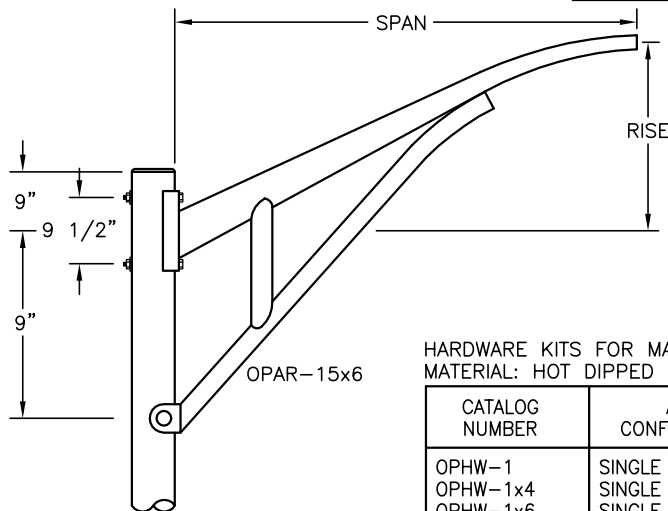
MAST ARMS - 4' TO 12'

MATERIAL: ALUMINUM

CONSTRUCTION: SINGLE, TAPERED ARM. ONE, TWO, THREE, OR FOUR CAN BE MOUNTED, DEPENDING ON POLE STRENGTH AND OTHER FACTORS.

(MOUNTING HARDWARE SOLD SEPARATELY)

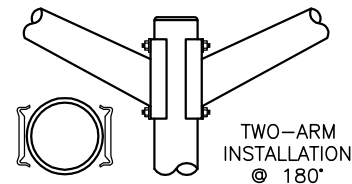
| CATALOG NUMBER | SPAN | RISE | EPA RISE (SQ. FT.) | WEIGHT (LBS.) | |
|----------------|------|------|--------------------|---------------|------------------|
| OPAR-4 | 45" | 15" | 0.9 | 6 | H, S, & X SERIES |
| OPAR-4x6 | 45" | 15" | 0.9 | 6 | A, B, C, D |
| OPAR-4x4 | 45" | 15" | 0.9 | 6 | ALL O SERIES |
| OPAR-6 | 68" | 24" | 1.6 | 10 | H, S, & X SERIES |
| OPAR-6x6 | 68" | 24" | 1.6 | 10 | A, B, C, D |
| OPAR-6x4 | 68" | 24" | 1.6 | 10 | ALL O SERIES |
| OPAR-8 | 90" | 33" | 2.4 | 14 | H, S, & X SERIES |
| OPAR-8x6 | 90" | 33" | 2.4 | 14 | A, B, C, D |
| OPAR-8x4 | 90" | 33" | 2.4 | 14 | ALL O SERIES |
| OPAR-10 | 120" | 39" | 3.3 | 17 | H, S, & X SERIES |
| OPAR-10x6 | 120" | 39" | 3.3 | 17 | A, B, C, D |
| OPAR-12 | 138" | 45" | 4.0 | 22 | H, S, & X SERIES |
| OPAR-12x6 | 138" | 45" | 4.0 | 22 | A, B, C, D |
| OPAR-15x6 | 174" | 45" | 7.4 | 40 | A, B, C, D |



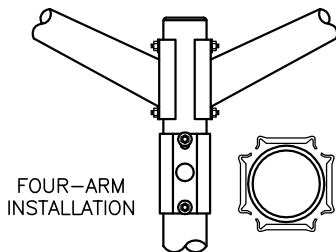
TRUSS ARM - 15'

MATERIAL: ALUMINUM

(MOUNTING HARDWARE SOLD SEPARATELY)



TWO-ARM INSTALLATION @ 180°



FOUR-ARM INSTALLATION

HARDWARE KITS FOR MAST ARMS
MATERIAL: HOT DIPPED GALVANIZED STEEL

| CATALOG NUMBER | ARMS CONFIGURATION | FOR POLE SERIES | 5/8" - 11" BOLTS | WASHERS | NUTS |
|----------------|--------------------|------------------|------------------|----------|------|
| OPHW-1 | SINGLE ARM | H, S, & X SERIES | 2 6" | 2 CURVED | 2 |
| OPHW-1x4 | SINGLE ARM | ALL O SERIES | 2 5 1/2" | 2 CURVED | 2 |
| OPHW-1x6 | SINGLE ARM | A, B, C, D | 2 8" | 2 CURVED | 2 |
| OPHW-2* | TWO ARMS @ 180° | H, S, & X SERIES | 2 7" | 2 FLAT | 2 |
| OPHW-2x4* | TWO ARMS @ 180° | ALL O SERIES | 2 6" | 2 FLAT | 2 |
| OPHW-2x6* | TWO ARMS @ 180° | A, B, C, D | 2 9" | 2 FLAT | 2 |
| OPHW-1x6-15 | ONE TRUSS ARM | A, B, C, D | 2 8", 1 9" | 2 CURVED | 2 |
| OPHW-2x6-15* | TWO TRUSS @ 180° | A, B, C, D | 3 9" | 2 FLAT | 2 |

*2 HARDWARE KITS REQUIRED

NOTE:

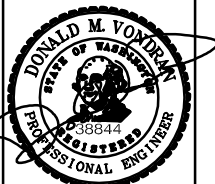
PSE / INTOLIGHT WILL DESIGN, ENGINEER, PROVIDE, INSTALL, OWN AND MAINTAIN THE LIGHTING SYSTEM FOR THE BENEFIT OF THE CITY OF COVINGTON.



City of Covington

Public Works

Community Development



MAST AND TRUSS ARMS

This document has been signed electronically in accordance with WAC 196-23-070 and Chapter 19.34 RCW. Unauthorized alteration of any of the information on this document will invalidate the document, my certification and signature.

510

Revision Date
July 2009