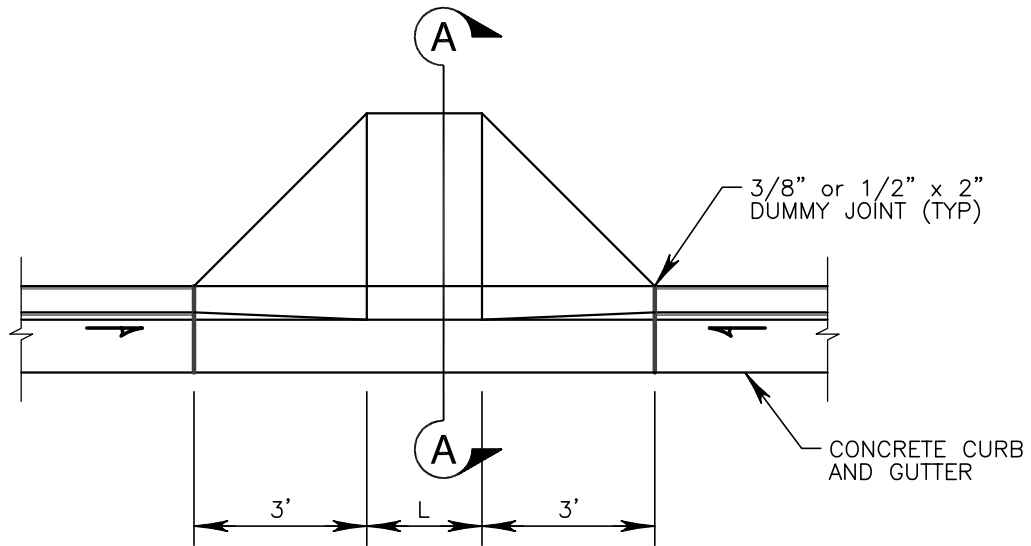


SECTION A-A



PLAN VIEW

DETAIL NOTES

Curb inlets may be installed with the placement of the adjacent curb, cut and trowelled to shape. The slide shall be formed and poured flush to the back of curb, prior to swale completion.

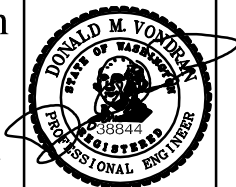
The top surface at the inlet and the slide shall be broom finished.

All external edges shall be trowelled with a 1/4" radius edger.

Dimension "L" shall be noted in the plans.



City of Covington
Public Works
Community Development



CURB INLET

712

Revision Date
October 2009

This document has been signed electronically in accordance with WAC 196-23-070 and Chapter 19.34 RCW. Unauthorized alteration of any of the information on this document will invalidate the document, my certification and signature.