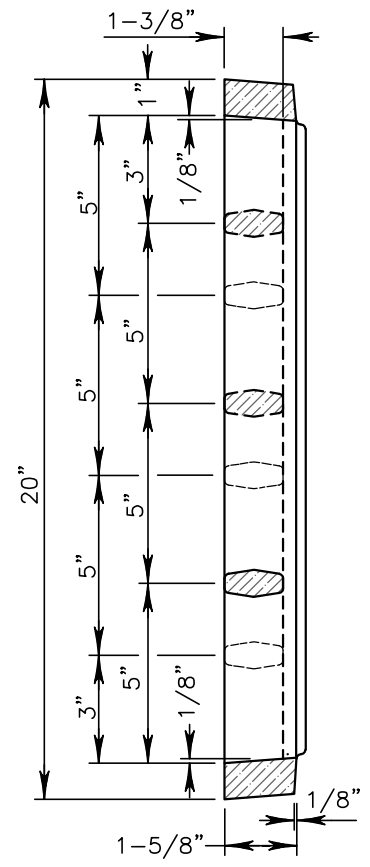
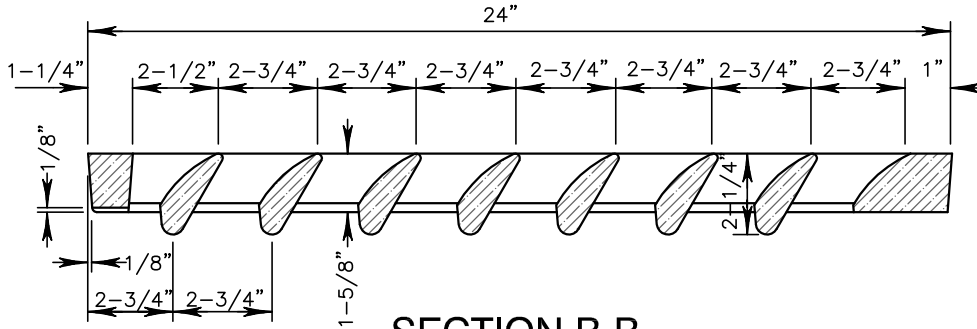


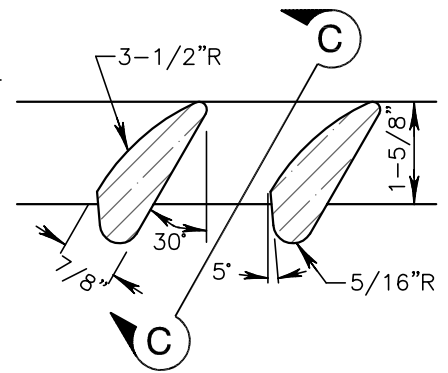
TOP VIEW



SECTION A-A



SECTION B-B

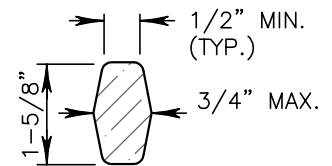


VANE DETAIL

DETAIL NOTES

Grate shall be ductile iron, conforming to ASTM A536-84, Grade 80-55-06.

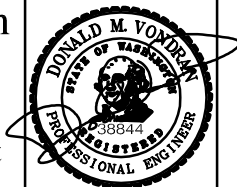
- ① ALL STORM DRAIN GRATES AND COVERS SHALL BE LOCKING. THREADED HOLES SHALL BE PROVIDED IN THE CASTING TO ALLOW FOR TWO 5/8" DIA STAINLESS ALLEN HEAD CAP SCREWS.



SECTION C-C



City of Covington
Public Works
Community Development



VANED GRATE

This document has been signed electronically in accordance with WAC 196-23-070 and Chapter 19.34 RCW. Unauthorized alteration of any of the information on this document will invalidate the document, my certification and signature.

724

Revision Date
October 2009