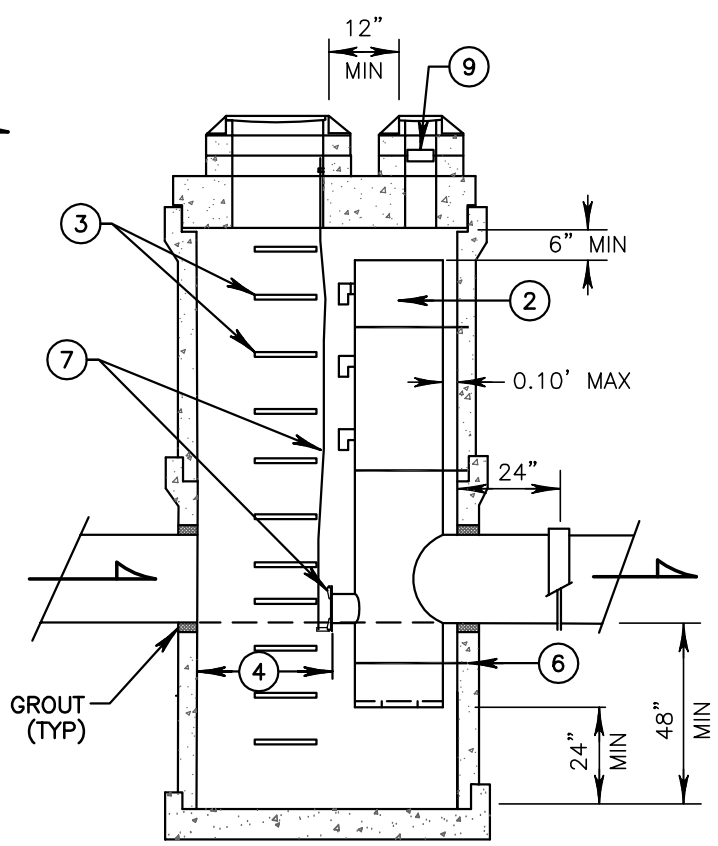
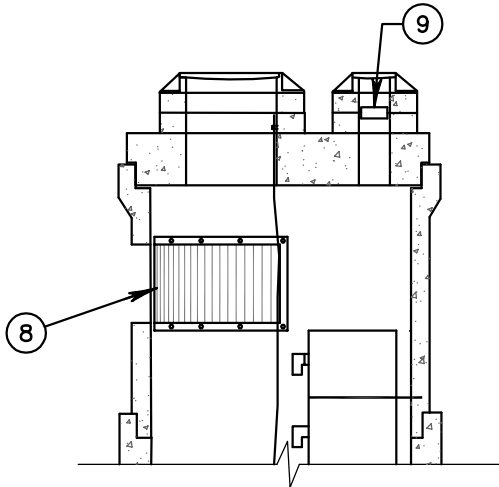


PLAN



SECTION

DETAIL NOTES

A Type 2 Catch Basin (72" min diameter) shall be used for 24" and larger diameter pipes (see Standard Detail 716).

All joints shall be grouted, inside and out, after the basin, separator assembly and frame have been installed.

See plans and/or specifications for size, type of pipe, elevations and orifice specifications.

- ① FABRICATE AND INSTALL MANHOLE AND ACCESSES SO THAT LIFT GATE IS VISIBLE THROUGH OPENING AND STEPS DO NOT ALIGN WITH INLET OR SEPARATOR ASSEMBLY.
- ② RESTRICTOR RISER, SEE STANDARD DETAIL 746.
- ③ POLYPROPYLENE STEPS.
- ④ MINIMUM CLEARANCE: 18" FOR PIPES 18" AND SMALLER, 36" FOR PIPES 24" AND LARGER.
- ⑤ BAND STRAP WITH GASKET.
- ⑥ SECURE RESTRICTOR RISER TO CATCH BASIN WITH 8 GAUGE ALUMINUM STRAP. BOLT TO CATCH BASIN WALL WITH STAINLESS STEEL ANCHOR BOLTS AND TACK WELD TO SEPARATOR.
- ⑦ SHEAR GATE AND LIFT HANDLE, SEE STANDARD DETAIL 748.
- ⑧ FOR POND APPLICATIONS, INCREASE STRUCTURE HEIGHT AND PROVIDE A FRAMED OVERFLOW DEBRIS-GRATED OPENING ABOVE THE RESTRICTOR RISER, SEE STANDARD DETAIL 754.
- ⑨ I.D. PLATE, SEE STANDARD DETAIL 751.

	<p>City of Covington</p> <hr/> <p>Public Works</p> <hr/> <p>Community Development</p>		<p>FLOW CONTROL STRUCTURE</p> <p>72" DIAMETER OR LARGER</p>	<p>745</p>
<p>This document has been signed electronically in accordance with WAC 196-23-070 and Chapter 19.34 RCW. Unauthorized alteration of any of the information on this document will invalidate the document, my certification and signature.</p>				<p>Revision Date January 2010</p>