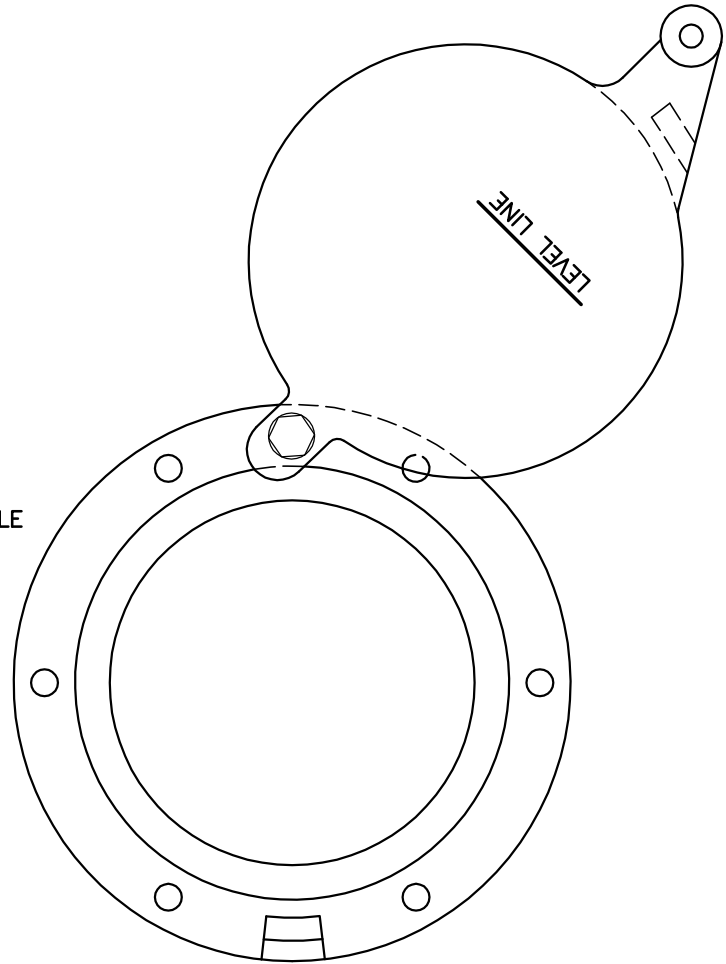
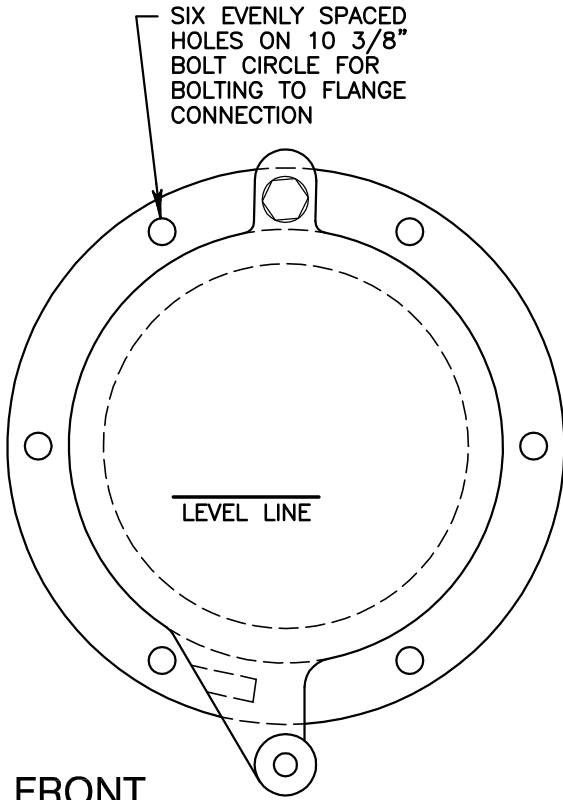


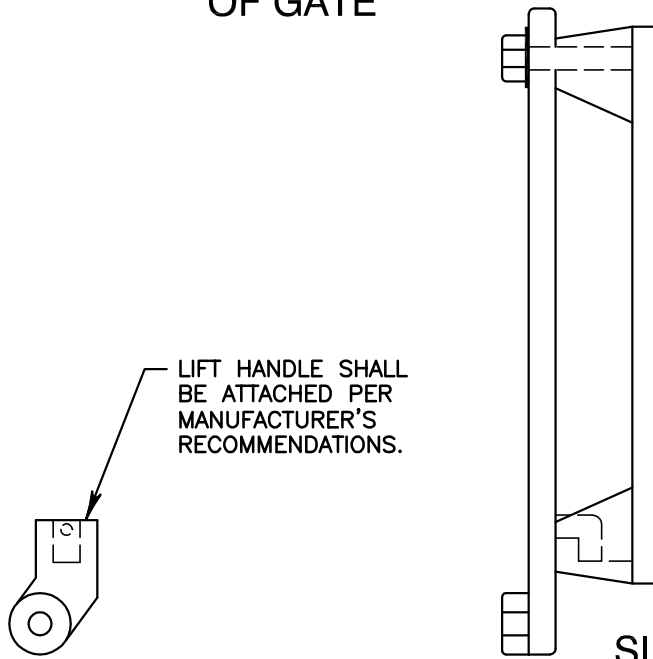
LIFT HANDLE



MAXIMUM OPENING OF GATE



FRONT



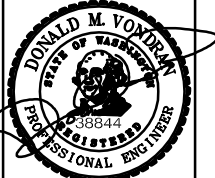
SIDE



City of Covington

Public Works

Community Development



SHEAR GATE

This document has been signed electronically in accordance with WAC 196-23-070 and Chapter 19.34 RCW. Unauthorized alteration of any of the information on this document will invalidate the document, my certification and signature.

748

Revision Date  
January 2010