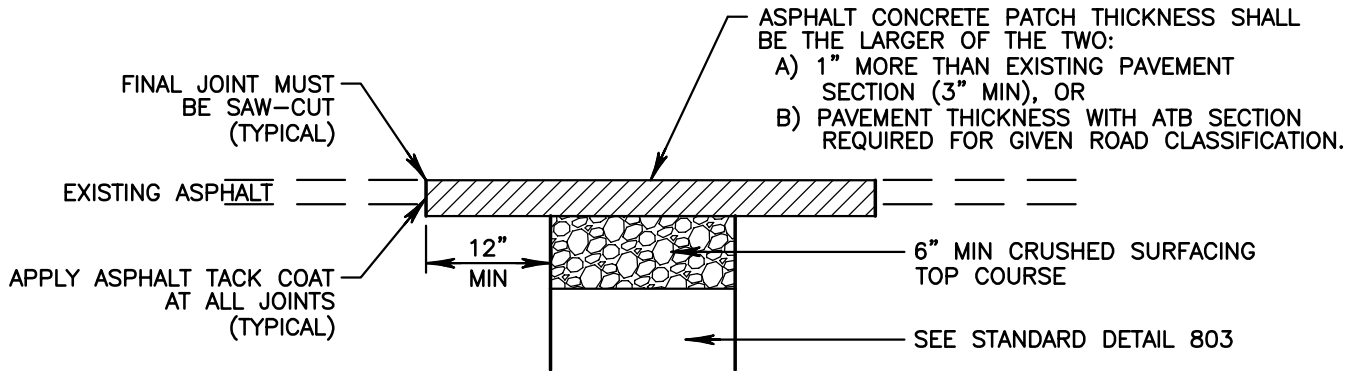
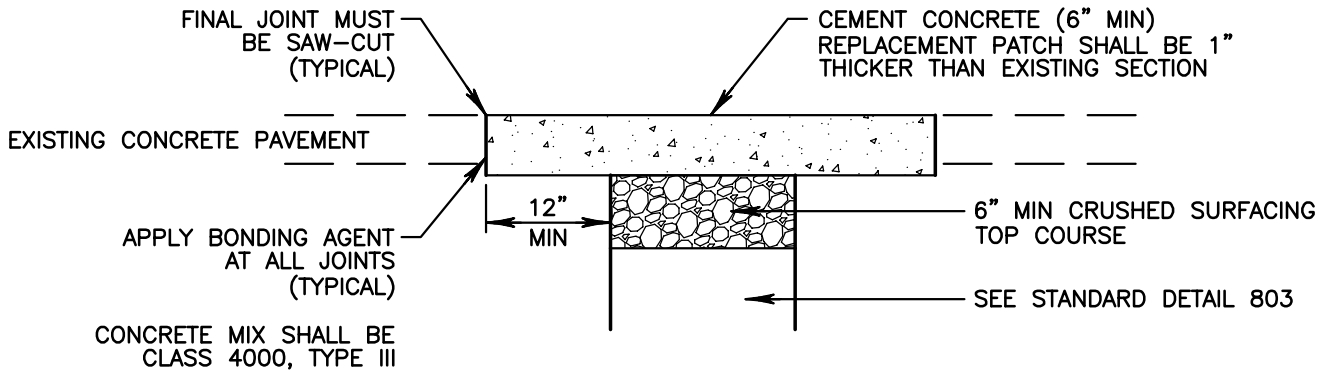


EXISTING ASPHALT CONCRETE OVER CEMENT CONCRETE



EXISTING ASPHALT CONCRETE OVER PREPARED GRADE



EXISTING CEMENT CONCRETE OVER PREPARED GRADE

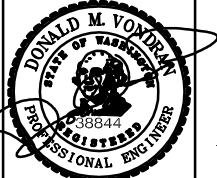
DETAIL NOTES

All trenches in roadway areas shall be backfilled and patched with temporary asphalt at the end of each work day, unless permission is granted to do otherwise by the City Engineer,

All temporary patches on trenches shall be permanently patched within 2 weeks of completion of work within the roadway area.



City of Covington
Public Works
Community Development



**PAVEMENT PATCH
DETAIL**

This document has been signed electronically in accordance with WAC 196-23-070 and Chapter 19.34 RCW. Unauthorized alteration of any of the information on this document will invalidate the document, my certification and signature.

802

Revision Date
January 2010