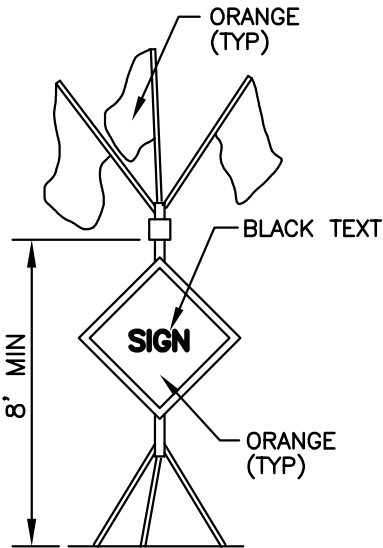


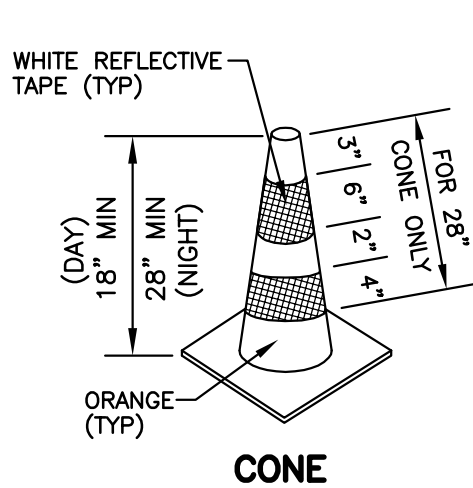
**TYPE 1**

**TYPE 2  
BARRICADES**

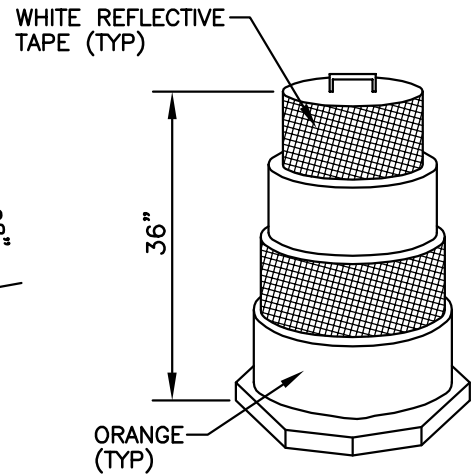
**TYPE 3**



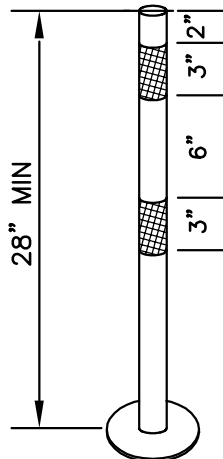
**HIGH RISE  
WARNING**



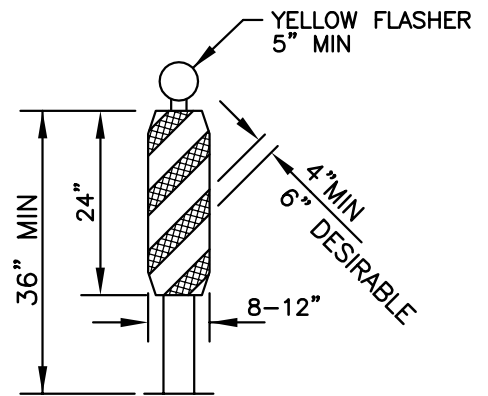
**CONE**



**CHANNELIZING DRUM**



**GUIDE POST**



**VERTICAL PANEL**

**NOTE:**

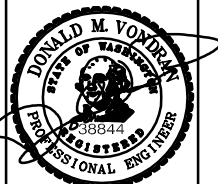
- STRIPES ON BARRICADE RAILS AND VERTICAL PANELS SHALL BE ALTERNATING ORANGE AND WHITE RETROFLECTIVE STRIPES, SLOPING DOWNWARD AT AN ANGLE OF 45 DEGREES IN THE DIRECTION ROAD USERS SHOULD PASS. WHERE NO PASSES ARE INTENDED, STRIPES SHOULD BE POSITIONED TO SLOPE DOWNWARD TOWARD THE CENTER OF BARRICADE. STRIPES SHALL BE 6" WIDE.



City of Covington

Public Works

Community Development



TRAFFIC CONTROL  
DEVICES

This document has been signed electronically in accordance with WAC 196-23-070 and Chapter 19.34 RCW. Unauthorized alteration of any of the information on this document will invalidate the document, my certification and signature.

**913**

Revision Date  
January 2010