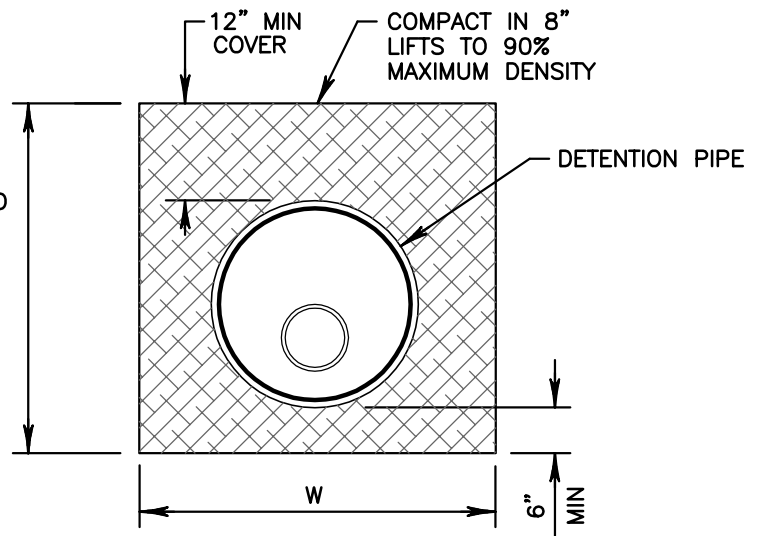


ELEVATION

SAND - WITH SOIL ENGINEERED
COMPACTION TEST
OR
5/8" MINUS CRUSHED ROCK
OR
PEA GRAVEL



SECTION A-A

DETAIL NOTES

See plans and/or specifications for size, type of pipe and elevations.

Annual inspections and cleaning are required of the owner to insure proper operation of detention system.

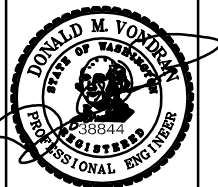
W = Maximum Width of Trench. For pipes 15" or less in diameter, W = 40". For pipes 18" or greater, W = 1 1/2" x i.d. + 18".



City of Covington

Public Works

Community Development



DETENTION PIPE

749

This document has been signed electronically in accordance with WAC 196-23-070 and Chapter 19.34 RCW. Unauthorized alteration of any of the information on this document will invalidate the document, my certification and signature.

Revision Date
January 2010