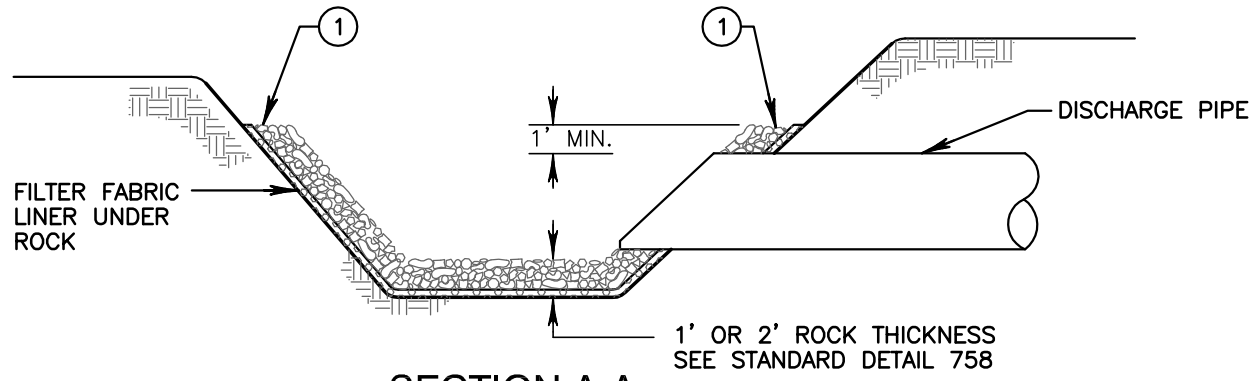


REQUIRED DIMENSIONS	
A+B	8' FOR ROCK LINING
	12' FOR RIP RAP
SEE STANDARD DETAIL 758	

PLAN



SECTION A-A

DETAIL NOTES

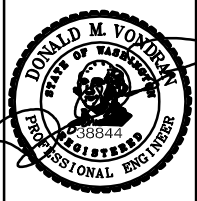
Type of outfall, pad dimensions and rock gradation shall be as designed in the approved civil plans and drainage report.

Outfalls shall be in accordance with the Hydraulic Project Approval (HPA), where required by the Washington State Department of Fish and Wildlife.

- ① PLACE ROCK 1' ABOVE CHANNEL CROWN. BOTH SIDES FOR "A" ≤ 8', ONE SIDE FOR "A" > 8'.



City of Covington
Public Works
Community Development



**PIPE OUTFALL TO CHANNEL
QUARRY SPALLS**

This document has been signed electronically in accordance with WAC 196-23-070 and Chapter 19.34 RCW. Unauthorized alteration of any of the information on this document will invalidate the document, my certification and signature.

759
Revision Date
January 2010